

CUSTOM TUBES



Parts for the assembly of tube slides tailored to your needs. Make different settings; spiral tubes, straight, meandering, passageways.

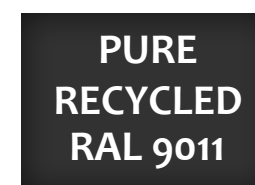
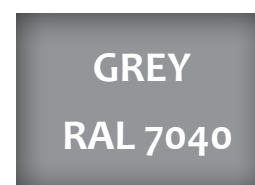
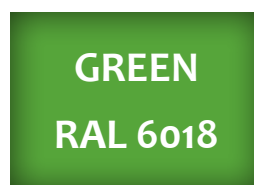
Made of 100% recyclable polyethylene (PE), and available in different colors. They offer a finish that is pleasant to the touch, resistant to moisture and without sharp edges, being safe for the little ones.

We work with advanced design programs to offer the best proposals to our clients. Designed according to the requirements of the EN1176 standard.

Contact us to receive your customized project.

AVAILABLE COLORS:

(Color combination is also possible)



Molder Disnova Composites
www.molderdisnova.com



LOOSE PARTS FOR ASSEMBLING TUBE SLIDES

Straight tube 1 m



Elbow tube 30°



Straight tube 50 cm



Elbow tube 45°



Outlet mouth



PE

**100%
RECYCLABLE**

Contact us for
custom slide
design

Pieces for the assembly of tube slides tailored to your needs. Made of 100% recyclable polyethylene (PE) and available in different colours.

AVAILABLE COLORS:

RED
RAL 3020

BLUE
RAL 5015

YELLOW
RAL 1018

GREEN
RAL 6018

ORANGE
RAL 2009

GREY
RAL 7040

PURE
RECYCLED
RAL 9011

RICE
HUSK

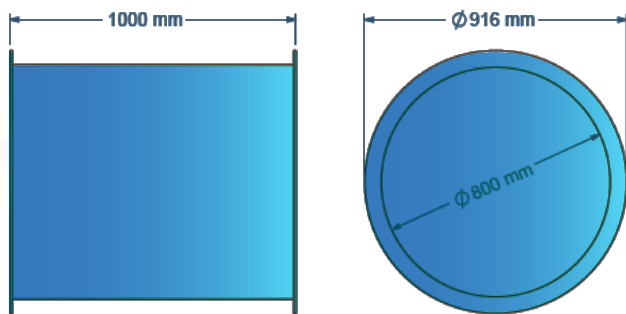
Molder Disnova Composites
www.molderdisnova.com

PE

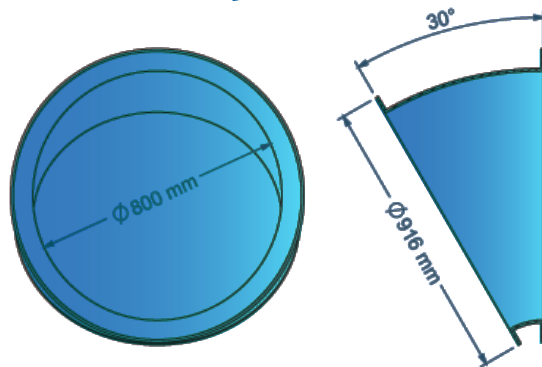


LOOSE PARTS FOR ASSEMBLING TUBE SLIDES

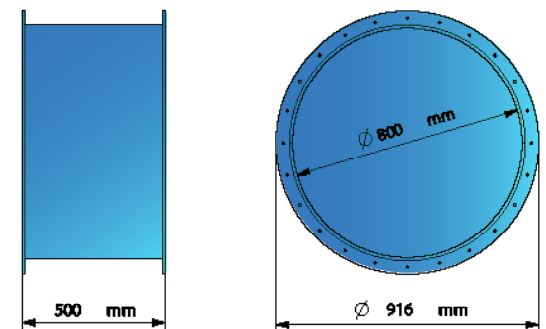
Straight tube 1 m



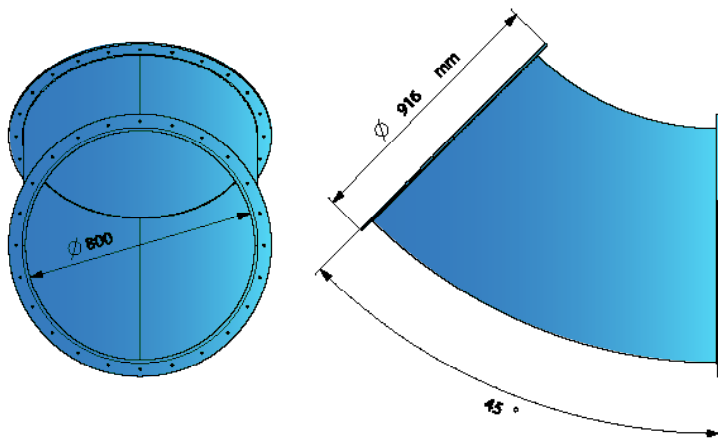
Elbow tube 30°



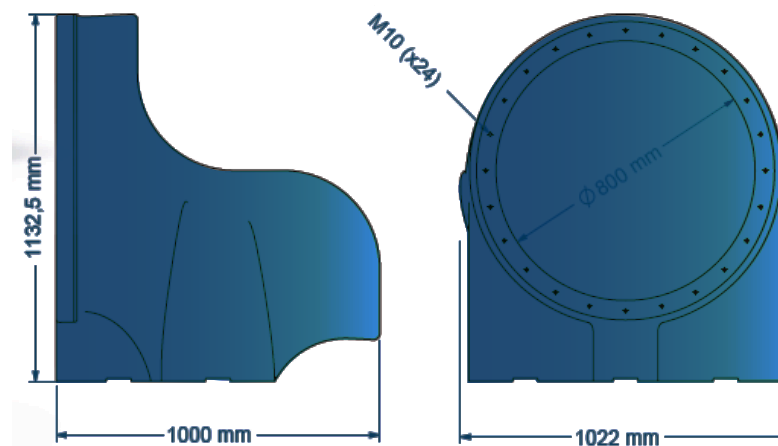
Straight tube 50 cm



Elbow tube 45°



Outlet mouth



Contact us for
custom slide
design

100%
RECYCLABLE

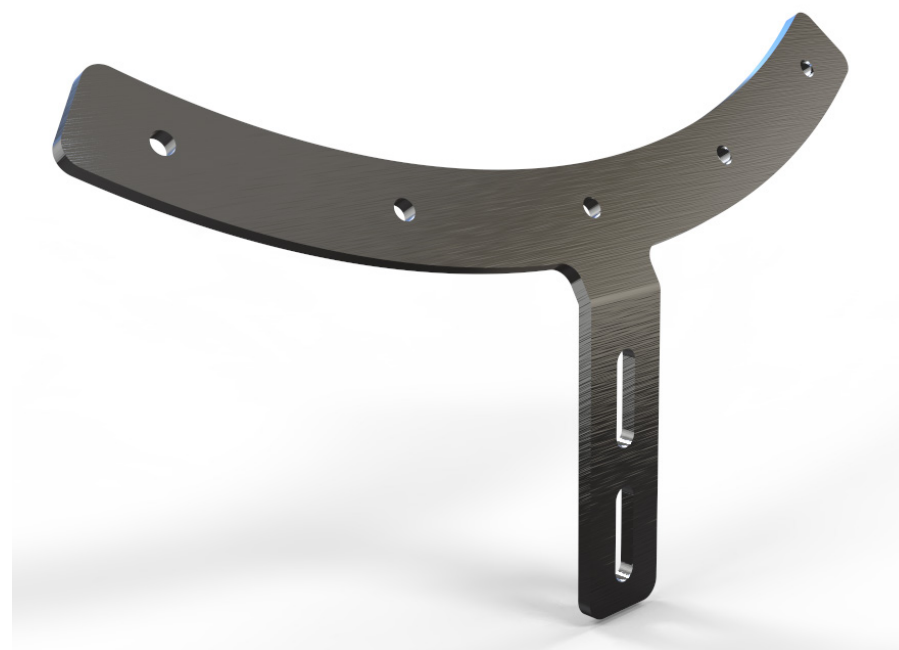
Dimensions in mm.

ACCESSORIES TUBE SLIDES

Bracket 3 holes - 30°



Bracket 5 holes - 30°



Screws



Taps

